

AD-4404

Check Weighing Indicator

*Fast Sampling Speed for Check Weighing Application
User Programmable Check-Weighing Mode for Many
Specific Requirements - Manual Check-Weighing System
and Fully Automatic Check-Weighing System*



AND ...Clearly a Better Value
A&D Company, Limited
www.aandd.co.jp

AD-4404

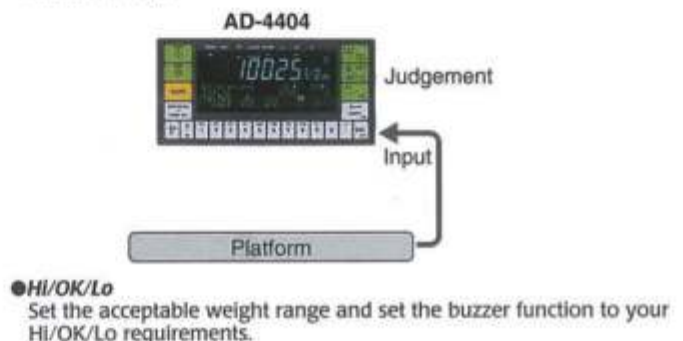
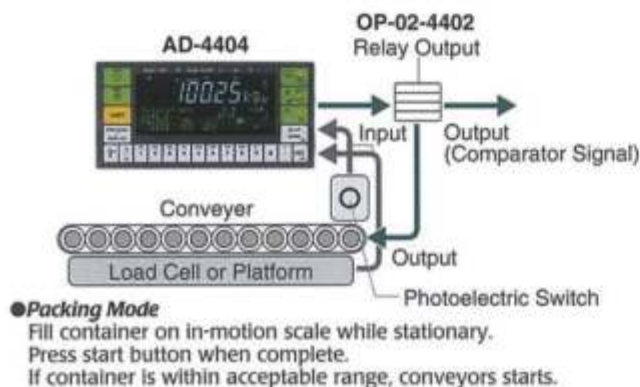
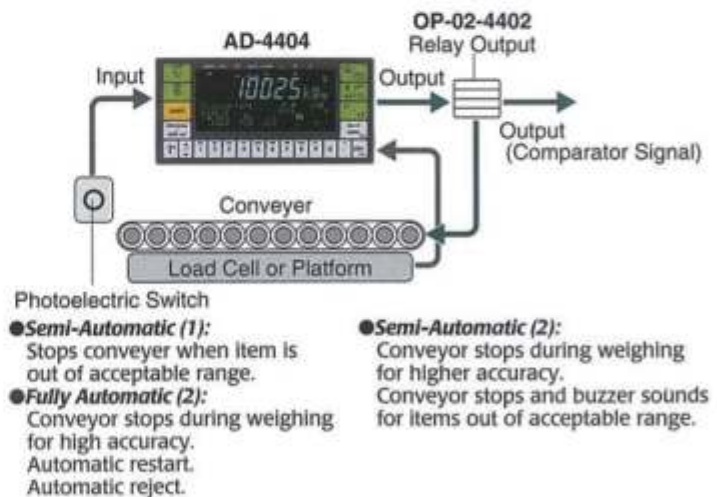
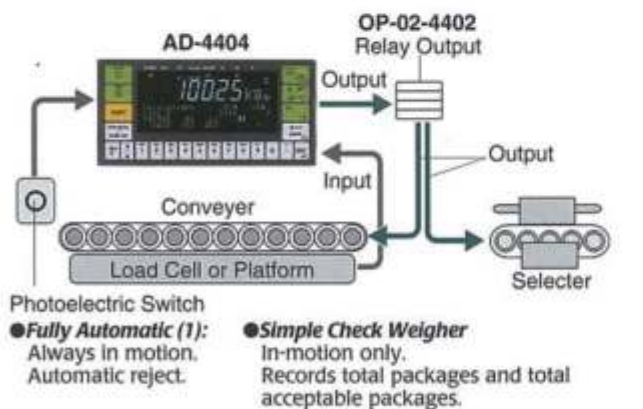
Check Weighing Indicator

Set-up Example



User Programmable Check-Weighing Modes

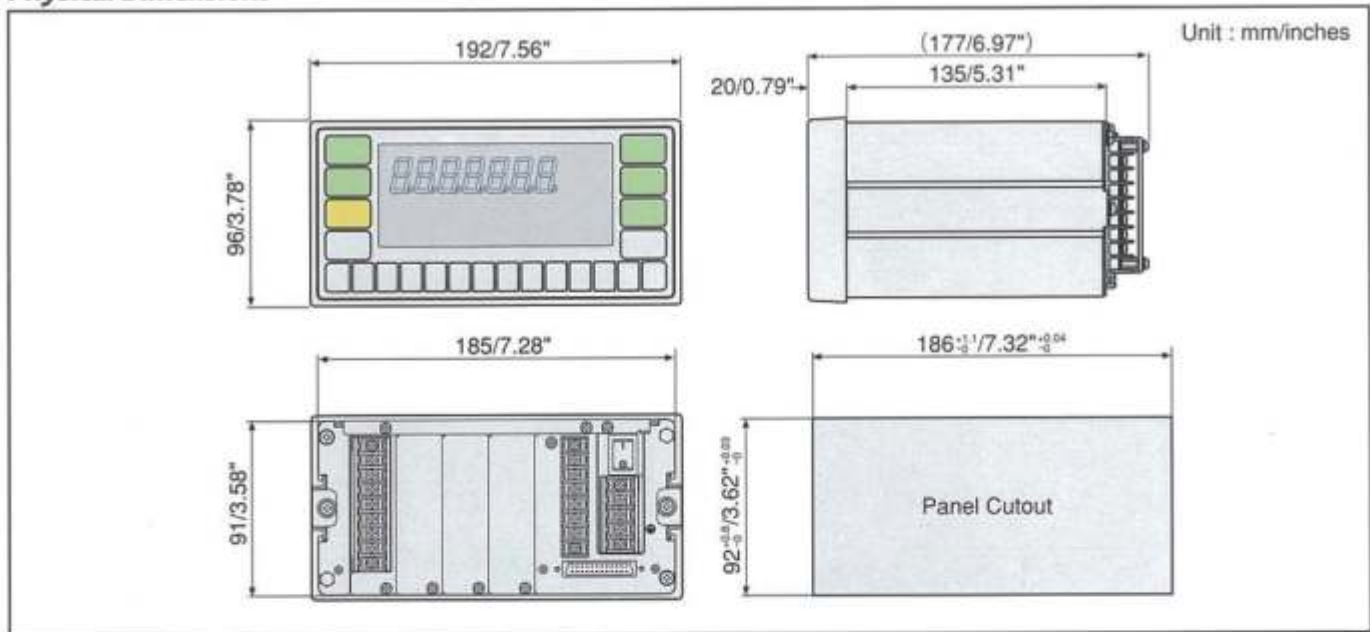
Because check-weighing requirements are not the same for everyone, we designed the AD-4404 to be programmable to your specific requirements.



AD-4404

Check Weighing Indicator

Physical Dimensions



Specifications

Analog Input and A/D Conversion

Input Sensitivity	0.3 μ V/d
Zero Adjustment Range	0mV ~ 20mV (0mV/V ~ 2mV/V)
Input Signal Range	0mV ~ 32mV (0mV/V ~ 3.2mV/V)
Load Cell Excitation	DC 10V \pm 5% 230mA, Remote Sensing (Up to 8 load cells at 350 Ω /load cell)
Zero Temperature Coefficient	\pm (0.2 μ V+8ppm of dead load)/ $^{\circ}$ C (typically)
Span Temperature Coefficient	\pm 8ppm/ $^{\circ}$ C of reading (typically)
Non-Linearity	0.01% of full scale
Input Noise	Less than 0.6 μ Vp-p
Input Impedance	10M Ω or more
A/D Conversion Method	Delta Sigma
A/D Resolution	1,000,000 counts
Maximum Display Resolution	16,000 counts (This limitation can be bypassed)
A/D Conversion Rate	100 times/sec.

Digital Section

Main Display	Blue Fluorescent, 7-segment, 7-digit Character Height: 18mm
Subdisplay	Blue Fluorescent, 7-segment (54 digits) /5 \times 7 dots (54 digits) Character Height: 5mm
Status Displays/Symbols	8 displays/10 symbols (5 \times 7 dots)

External Input/Output Section

Control I/O	Inputs 11/Outputs 11
Standard Serial I/F (Ch.1)	RS-485 (Terminal)
Standard Serial I/F (Ch.2)	Current loop (Terminal)

General

Power	AC 85V ~ 250V (50/60Hz)
Consumption	Approximately 30VA
Operating Temperature	-5 ~ +40 $^{\circ}$ C (23 $^{\circ}$ F ~ 104 $^{\circ}$ F)
Operating Humidity	Less than 85% RH (non-condensing)
Physical Dimensions	192(W) \times 135(D) \times 96(H) mm 7.56(W) \times 5.31(D) \times 3.78(H) inches With terminal posts: 192(W) \times 177(D) \times 96(H) mm 7.56(W) \times 6.97(D) \times 3.78(H) inches
Panel Cutout Dimensions	186(W) \times 92(H) mm 7.32(W) \times 3.62(H) inches
Net Weight	Approximately 1.8 kg / 4.0 lb

Options

OP-01-4402	BCD Output
OP-02-4402	Relay Output
OP-03-4402	RS-422/RS-485 I/O
OP-04-4402	RS-232C I/O
OP-05-4402	Parallel I/O
OP-07-4402	Analog Output

Accessories

AD8118A	Journal Printer
AD8118B	Universal Printer
AD8121A	Dot matrix Printer
AD8917	External Display
AD8512	Digital Comparator
AD8951	Comparator Light

Specifications subject to change for improvement without notice.

A&D

...Clearly a Better Value

A&D Company, Limited

3-23-14 Higashi-Ikebukuro, Toshima-ku, Tokyo 170-0013 JAPAN
Telephone: [81] (3) 5391-6132 Fax: [81] (3) 5391-6148
<http://www.aandd.co.jp>

A&D ENGINEERING, INC.

1555 McCandless Drive, Milpitas, CA, 95035 U.S.A.
Telephone: [1] (408) 263-5333 Fax: [1] (408) 263-0119

A&D MERCURY PTY. LTD.

32 Dew Street, Thebarton, South Australia 5031 AUSTRALIA
Telephone: [61] (8) 8352-3033 Fax: [61] (8) 8352-7409

A&D INSTRUMENTS LTD.

Unit 24/26 Blacklands Way Abingdon Business Park,
Abingdon, Oxon OX14 1DY United Kingdom
Telephone: [44] (1235) 550420 Fax: [44] (1235) 550485

<German Sales Office>

Große Straße 13 b 22926 Ahrensburg, GERMANY
Telephone: [49] (0) 4102 459230 Fax: [49] (0) 4102 459231

A&D KOREA Limited

Manhattan Bldg. 8F, 36-2 Yoido-dong, Youngdeungpo-gu, Seoul, KOREA
Telephone: [82] (2) 780-4101 Fax: [82] (2) 782-4280

* AD4404-ADCC-02-KO2-04303