



MK-ASC
Load Cell Compression

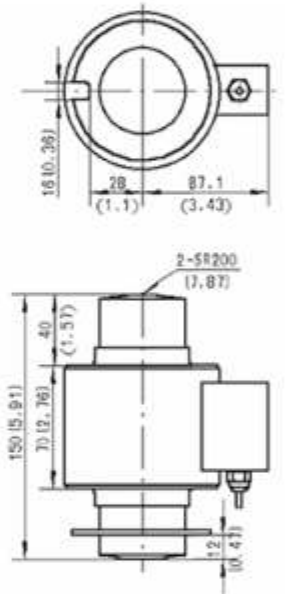
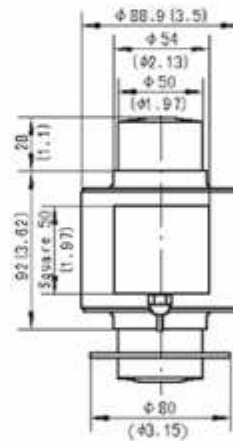
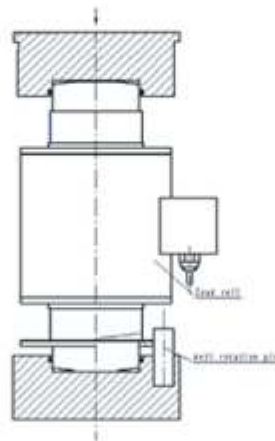
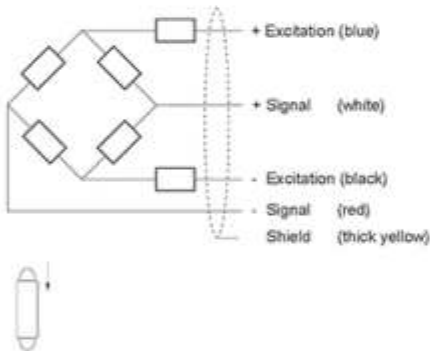


MK - ASC



FEATURE:

- Self-restoring rocker pin load cell
- Upper and lower inhibitors design, easy to installation
- Dynamic respond, and super capacity for anti-overload
- 5 core high quality orange cable
- Application to truck scale, railway scale, axle scale, storage scale and other weighing equipment



SPECIFICATION

Rated capacities (Emax)	10,15,20,25,30,40,50t	Temperature, compensated	-10°C~+40°C
Rated Output	2.0±0.002mV/V	Temperature, operating	-30~+70°C
Total error	C3	Maximum safe overload	150%F.S
Creep error (30 min)	±0.02%F.S	Ultimate overload	250%F.S
Zero balance	±1%F.S	Excitation, recommended	10~12V DC
TC ZERO	±0.02%F.S/10°C	Excitation, maximum	15V DC
TC SPAN	±0.02%F.S/10°C	Protection class	IP68
Input resistance	700±10Ω	Construction	Stainless Steel
Output resistance	700Ω	Cable	Length: 14m
Insulation resistance	≥5000MΩ		Diameter: Φ 6mm

