



MK-LUC

Double Ended Beam



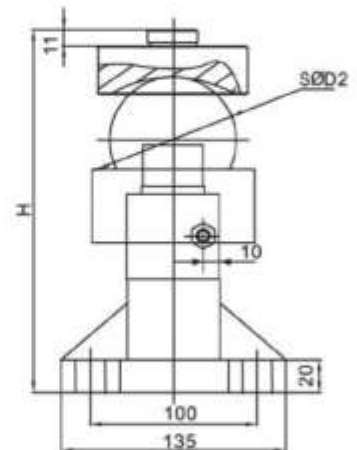
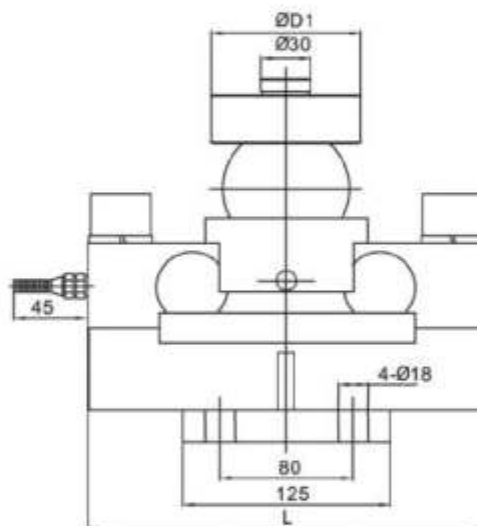
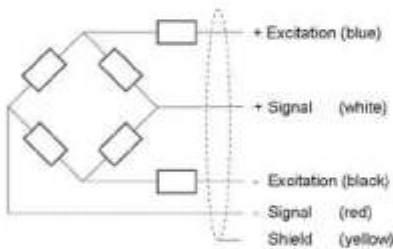
MK-LUC



FEATURE:

- High precision, reliability and super stability
- Design of stainless steel ball, cup has super functions in self-restoring corner pre-adjustment
- Anti-wallop and anti side force
- Easy to installation good interchangeability
- 5 core high quality orange cable
- Application to truck scale, railway scale hopper scale and other weighing equipment

Rated Load (t)	5	10,15,20,25,30	40
D1	88	85-88	88
D2	50.8	76.2	76.2
H	168.8	224.7	230.7
L	224	240	240



SPECIFICATION

Rated capacities (E _{max})	30t	Temperature, compensated	-10°C~+40°C
Rated output	1.8004mV/V	Temperature, operating	-30°C~+70°C
Accuracy class	C3	Maximum safe overload	120%F.S
Zero balance	±1%F.S	Ultimate overload	200%F.S
TC ZERO	±0.02%F.S/10°C	Excitation, recommended	10-12V DC
TC SPAN	±0.02%F.S/10°C	Excitation, maximum	15V DC
Input resistance	752.2	Protection class	IP68
Output resistance	701.2Ω	Construction	Alloy Steel
Insulation resistance	≥5000MΩ	Cable	Length: 16m Diameter: Φ 6mm

